



# CATALOG

COVER DESIGN

CAR ELECTRONIC ACCESSORIES UPGRADE

MAKE THE QUALITY MORE TRUSTWORTHY

THE PURSUIT EXCELLENCE ENDLESS  
ADVABBING WITH THE FUTURE

HONEST RELIABLE  
HIGH-QUALITY FIRST-RATE

**DONGGUAN KAIMIAO ELECTRONIC TECHNOLOGY CO., LTD**

ADD : 1101, Xinchun Building, Shangsha Community, Chang'an,  
Dongguan City, Guangdong Province, China

PHONE : +86 134 2318 9468

TEL : 0769 8219 8609

FAX : 0769 8219 8610

WEB: <http://www.wkautospace.com>

QQ: 498472675

1101, Xinchun Building, Shangsha Community, Chang'an, Dongguan,  
Guangdong 076982198609



# PRODUCT BROCHURE

Dongguan Kaimiao Electronic Technology Co., Ltd. was established in 2017 and is located in Chang'an Town, Dongguan. It is a professional auto supplies service provider integrating design, manufacture, sales and after-sales. Focus on the production of SUV electric pedals, automobile electric tailgate, automobile electric suction door, automobile emergency start power supply, outdoor energy storage power supply, vehicle portable air pump and other products. Products sell well in North America, South America, the Middle East, Southeast Asia and more than 30 domestic provinces and cities. Professional accessories win trust, sincerely welcome the future, adhere to the principle of "taking technology as the support, seeking development with quality, winning the market with integrity, and responding to market changes "quickly". Advocating the concept of "high quality and low consumption" for people and vehicles While bringing services, Wan Car Owner advocates the advancement of automotive technology with the times, so that consumers can truly experience the joy brought by Kaimiao products. Pragmatism, innovation and transcendence are the tenets of the company, people-oriented and honest management. In the future, we will continue to develop and manufacture more and newer safety products to meet domestic and foreign customers.

Sincerely look forward to cooperating with domestic and foreign customers to achieve a win-win situation.

1101, Xinchun Building, Shangsha Community, Chang'an, Dongguan,  
Guangdong 076982198609



01

# ELECTRIC TAILGATE

## CATALOG

### CATALOG

- [ 01 ] ELECTRIC TAILGATE
- [ 02 ] CAR DOOR SOFT CLOSE
- [ 03 ] ELECTRIC RUNNING BOARD
- [ 04 ] CAR JUMP STARTER
- [ 05 ] OUTDOOR ENERGY STORAGE POWER
- [ 06 ] CAR AIR PUMP
- [ 07 ] 4 IN 1
- [ 08 ] COMPANY INTRODUCTION



# ELECTRIC TAILGATE

The smart electric tailgate is a brand-new car intelligent modification system. The driver can control the closing of the tailgate through the remote control of the car key, pressing the vehicle tailgate key and the cab. In addition, it also has functions such as intelligent anti-pinch, high-level memory, etc., which integrates intelligence, convenience and humanization, making your car even more powerful in an instant.

The intelligent electric tailgate can solve the inconvenience caused by the usual tedious trunk operation to daily life, such as not limited to being out of reach, too many things on hand, and not closing tightly.

1101, Xinchun Building, Shangsha Community, Chang'an, Dongguan, Guangdong 076982198609



## 10 CORE TECHNOLOGIES

Technology manufacturing pays attention to every detail



# ELECTRIC TAILGATE



The intelligent electric tailgate lift kit can open, close and lock the luggage electrically, which can be triggered by key fob, the switch button at the trunk, the switch in the cab, the foot sensor switch, etc. It has the characteristics of anti-pinch, self-adjusting height, speed control, abnormal fault detection, non-destructive installation and so on.

Using the original car standard electric suction device, the door opening and closing process is smoother and quieter. The kit runs smoothly, elegantly and intelligently, without extra noise.

1101, Xinchun Building, Shangsha Community, Chang'an, Dongguan, Guangdong 076982198609

# ADVANTAGES



## Smart Sensing

Independent setting of anti-pinch force/anti-collision force (After detecting the car owner's intention to manually open and close the door, the tailgate intelligently starts the auxiliary door opening and closing



## Perfect Exception Handling

The double-strut load is balanced, and the door is prevented from deforming when a single-strut fails; when the tailgate fails to close in special scenarios, the system automatically learns the closing force



## Smart Speed Control

Through intelligent control such as soft start and deceleration, it can ensure smooth operation, slow down the impact of the system, and prolong the life of the motor.



## Fault Detection

When the drive circuit fails (low voltage alarm, overcurrent protection), the system will automatically cut off/automatic recovery to ensure the safety of vehicles and equipment.

# OPERATION METHODS



Remote Control By Key Fob



Tailgate Switch Button



Dashboard Switch Button



Foot Sensor [Optional]

A variety of opening methods, making opening more convenient and fast.





Control by original car key fob. Long press the unlock button / tailgate button, the tailgate can be easily lifted and lowers. Do not change your operating habits, let you control your car trunk as you like!



Supports manual pull-down start mode, that is, the door is forcibly pulled down/pulled by human hands, and it can also wake up the electric work to close the door.



Press the tailgate switch button and the dashboard button to open and close the tailgate.



The height of the tailgate raised can be adjusted at will. You can set the final opening height according to your own height and usage habits, and say goodbye to the embarrassment of being out of reach. After manually pushing the tailgate to a reasonable position, press and hold the tailgate installation button for more than 3 seconds, and the setting is successful when you hear a beep



Using intelligent algorithms. When the electric tailgate is opened or closed, it can quickly sense obstacles and realize the anti-pinch/anti-collision function. Effectively prevent children from being pinched or damage the vehicle and ensure safety.



By adding electric suction device parts, the tailgate is automatically pulled and locked. Compared with the traditional inertial mechanical type, the door closing is more reliable, and the door can be closed smoothly and noise is reduced. Some models can be equipped with an optional upper suction lock



When the electric tailgate is opened or closed, the sound/light alarm can be used to remind you and friends next to you to avoid the tailgate rubbing. Difference description: The beeping sound of the tailgate can be turned on or off independently. (Meet the different needs of users)



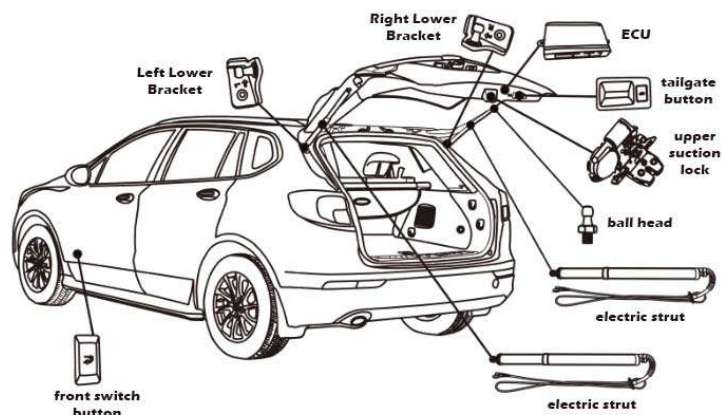
With optional kick sensor parts, you can easily lift your foot to open and close the tailgate while carrying heavy objects in your hand.

# ACCESSORY INTRODUCTION



Three Core Accessories:

- ◆ Electric struts ( Built-in Hall Sensor )
- ◆ Electric suction lock ( Latch/Upper )
- ◆ Control box module (ECU)



- ① ELECTRIC STRUTS
- ② WIRE HARNESS
- ③ CONTROL BOX (ECU)
- ④ BRACKET
- ⑤ ELECTRIC SUCTION LOCK
- ⑥ SWITCH BUTTON

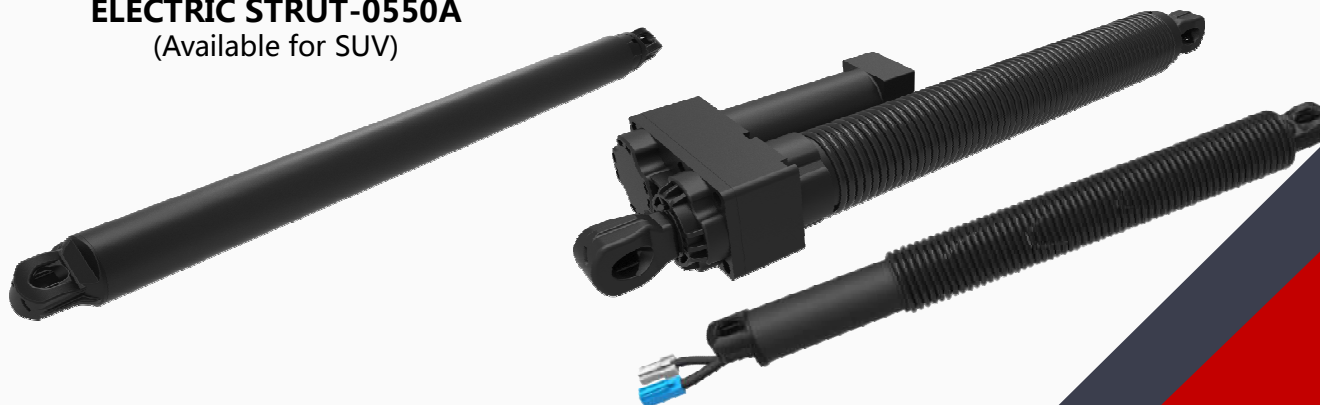
1101, Xinchun Building, Shangsha Community, Chang'an, Dongguan, Guangdong 076982198609

# ELECTRIC STRUT



**ELECTRIC STRUT-0550A**  
(Available for SUV)

**ELECTRIC STRUT-0550B**  
(Available for Sedan)



1101, Xinchun Building, Shangsha Community, Chang'an, Dongguan, Guangdong 076982198609

# ELECTRIC STRUT

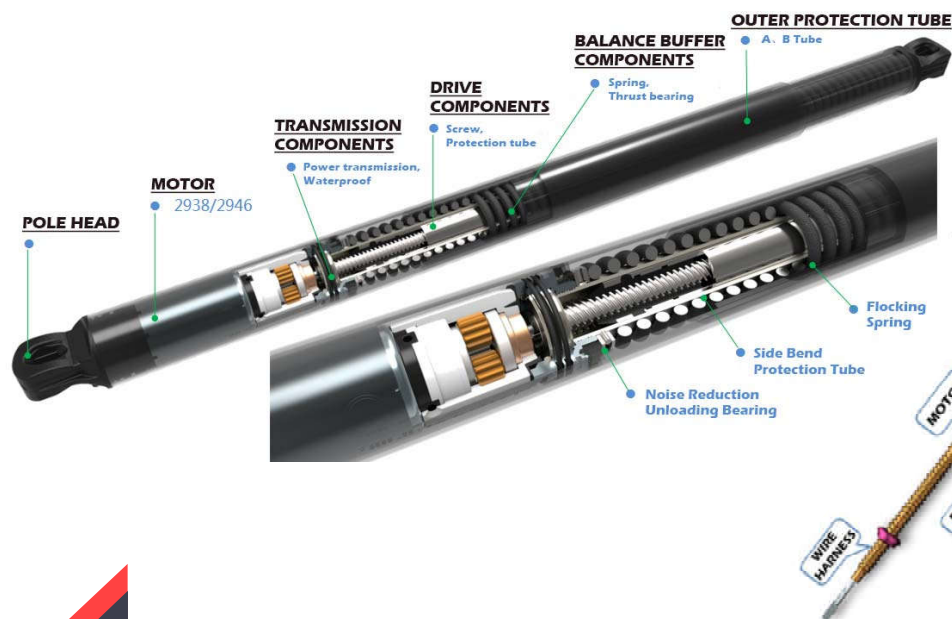


SUV



SEDAN

1101, Xinchun Building, Shangsha Community, Chang'an, Dongguan, Guangdong 076982198609



ELECTRIC STRUT  
STRUCTURE

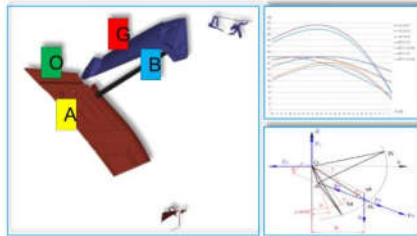
1101, Xinchun Building, Shangsha Community, Chang'an, Dongguan, Guangdong 076982198609



### The working principle of the strut:

When the motor is not working, the resistance of the screw rod, the resistance of the motor gear box, the spring force and the gravity of the door form a balance torque to keep the door hovering at any position.

When the motor is working, the motor torque breaks the balance. According to the motor torque direction, the strut performs telescopic movement to drive the door to open and close.



#### CORE TECHNOLOGIES

- Precise body matching
- Optimum support point arrangement
- Kinematics Simulation Analysis
- Professional strut design



- 1 The strut technology integrates advanced technologies in the international industry and has obtained 18 national patents
- 2 Professional dynamic analysis and strut balancing strategy to reduce customer pre-work

### Features:

Low noise, stable and reliable. Combined with the controller, the height and anti-pinch functions can be set, and the installation is simple

Intelligent double Hall automatic fulcrum has adjustment protection to achieve comfortable and smooth door opening and closing

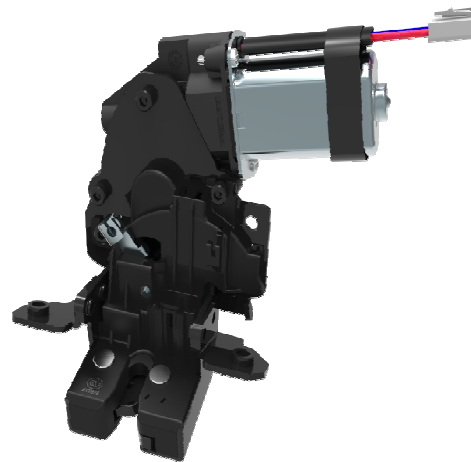
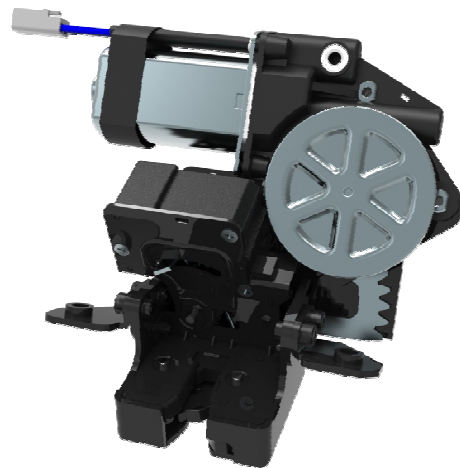
In the design stage, the arrangement plan of the strut is proposed, and the arrangement of the strut is checked and analyzed. Optimize the design of the tailgate system's high temperature, low temperature, normal temperature opening and closing force characteristics, balance angle characteristics, elastic characteristics of the built-in spring, positive and negative slope environment and other factors, and output the design verification.



1101, Xinchun Building, Shangsha Community, Chang'an, Dongguan, Guangdong 076982198609

## ELECTRIC SUCTION LOCK

### UPPER SUCTION LOCK



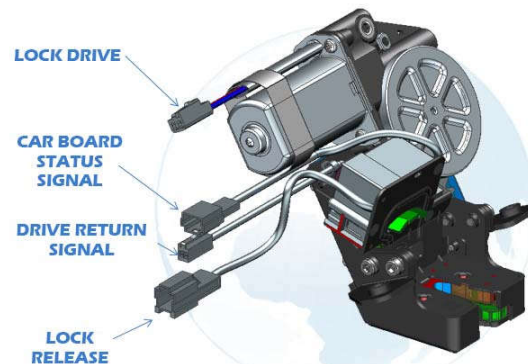
1101, Xinchun Building, Shangsha Community, Chang'an, Dongguan, Guangdong 076982198609



### Advantages of upper suction lock:

The mechanical strength has passed the national compulsory 3C certification, and the reliability is guaranteed. The main components are purchased from the OEM supply chain, which is more stable. The service life has been actually tested by many customers to meet the requirements of the car factory. If the electric suction function is not normal, the tailgate can also be unlocked manually.

When the tailgate is about to close, the strut can rely on the electric suction function to achieve the closing action without accelerating and afterburning, and the effect is very good.



1101, Xinchun Building, Shangsha Community, Chang'an, Dongguan, Guangdong 076982198609

### DRIVE LOGIC SIGNAL

	7	8
<b>LOCK</b>	GND	+12V
<b>UNLOCK</b>	+12V	GND

	1 #	2 #	3 #	4 #
<b>UNLOCK</b>	⊖	⊖	⊖	⊖
<b>HALF LOCK</b>	⊖	⊖		
<b>FULL LOCK</b>				

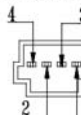
	5	6
<b>LOCK</b>		
<b>UNLOCK</b>	⊖	⊖

	9	10
<b>UNLOCK</b>	+12V	GND

#### Lock drive



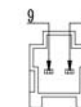
#### Car board status signal



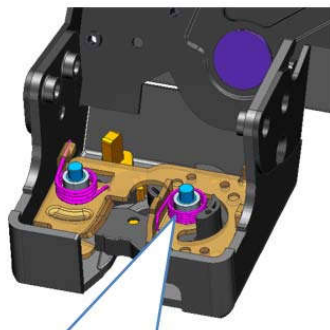
#### Drive return signal



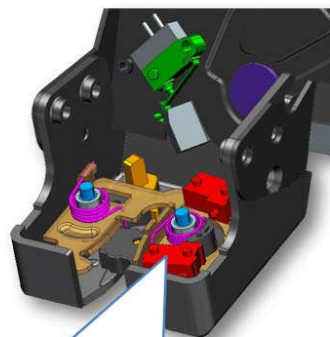
#### Lock release



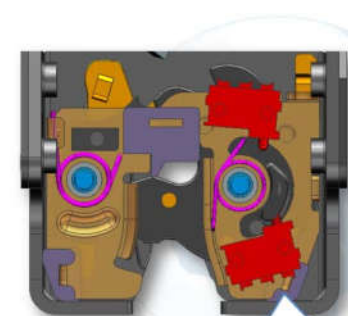
## ANATOMICAL ANALYSIS - UPPER SUCTION LOCK



**Product Name:** Spring  
**Material:** Stainless steel  
**Features:** Designed according to the life requirements of more than 100,000 times to prevent the failure of the meshing system

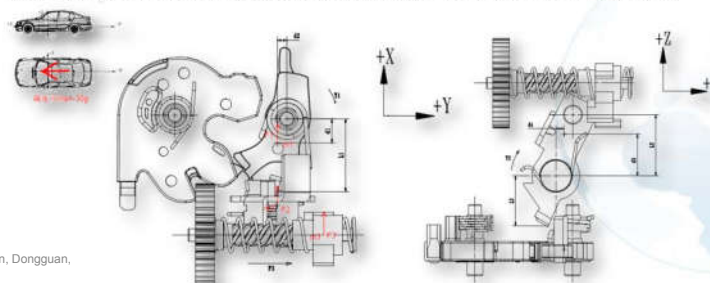


**Product Name:** Waterproof Switch  
**Features:** All-position status switch, unlocking, half-locking, full-locking, and locking mechanism reset. Full position sensing, which can directly determine the position status and make corresponding actions



**Product Name:** Buffer Glue  
**Features:** The card plate claws return to shock absorption and noise reduction to prevent abnormal noise from left and right deflection after the door is locked

Meets 30g inertial force resistance in 6 directions (only the forward and deceleration directions are listed)



m1= 0.0116 kg  
m2= 0.011 kg  
m3=0.0014kg  
d1=6.64 mm  
d2=2.64mm  
d3=13.05mm  
d4=2.54mm  
l1=20.11mm  
l2=15.3mm  
l3=19.18mm  
T1=49N.mm  
T2=37N.mm  
F3=7N  
T1+m1\*a\*d2=49+0.0116  
\*294.2\*2.64=58.01  
N.mm>0

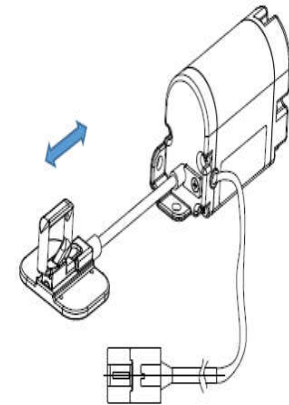
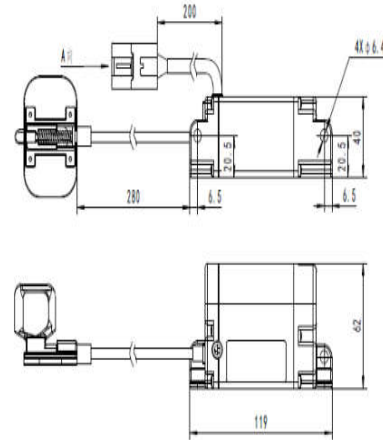
1101, Xinchun Building, Shangsha Community, Chang'an, Dongguan, Guangdong 076982198609



# ELECTRIC SUCTION LOCK



## ELECTRIC LATCH LOCK



**Features of the tailgate electric suction lock:** When the door is closed, the tailgate is automatically pulled and closed through the electric suction lock to reduce the closing gravity. The tailgate locking actuator is directly driven by the intelligent electric tailgate controller and provides the tailgate unlocking status information.

1101, Xinchun Building, Shangsha Community, Chang'an, Dongguan, Guangdong 076982198609

# CONTROL BOX ( ECU )

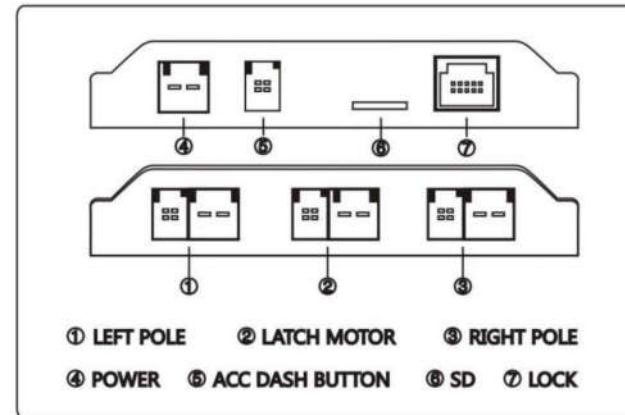
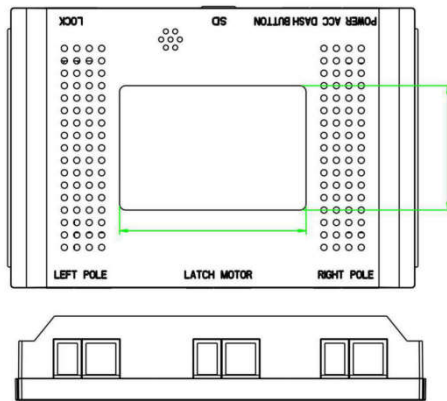


1101, Xinchun Building, Shangsha Community, Chang'an, Dongguan, Guangdong 076982198609

# CONTROL BOX ( ECU )



## CONTROL BOX (ECU) INTRODUCTION



As the control core of the electric tailgate system, the control box provides suitable power for the electric struts on both sides when the tailgate is running in automatic mode, and at the same time judges whether anti-pinch occurs during operation. When the electric suction lock is driven to enter the half-lock position, the locking operation and the unlocking operation when the tailgate is opened are performed. The ECU can monitor other components of the system and provide system diagnostic information

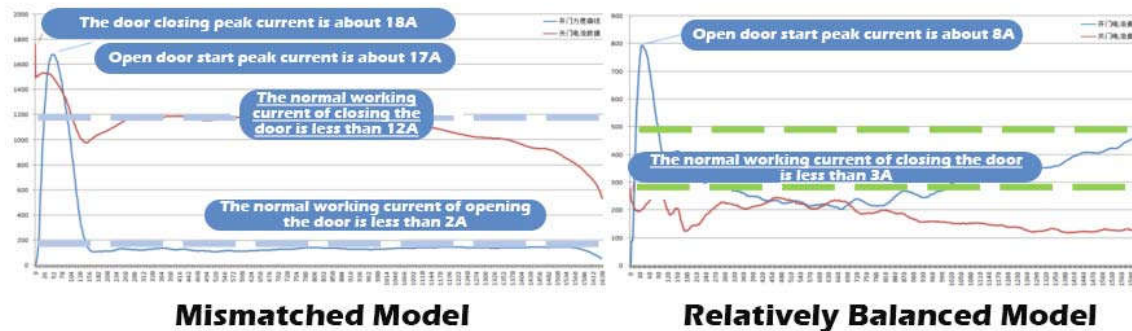
By upgrading the control box, parameters can be adjusted independently for instant optimization.

1101, Xinchun Building, Shangsha Community, Chang'an, Dongguan, Guangdong 076982198609

# CONTROL BOX ( ECU )



## PRODUCT SAFETY DESIGN



The working current of the product is closely related to the degree of matching between the tailgate system and the vehicle. According to the optimal fulcrum position of the original car body and tailgate parameters (center of gravity position, gravity), etc., the matching springs and other parts are customized, so as to achieve the optimal design of the strut and realize the maximum conversion of electric energy.

- ◆ When the product cannot work normally (electric system failure, car power loss, emergency situation during opening and closing), you can manually press the tailgate to lower and close the tailgate, or manually lift the tailgate to raise the tailgate to open. , without damaging the strut. (Hovering closing force  $\cong$  150N, hovering opening force  $\cong$  90N)
- ◆ The kit monitors the state of the central control lock; it does not change the design logic of the original car's tailgate opening. The kit takes the power supply near the main driver by means of insurance transfer (30A insurance). There will be no conflict between the original car parts and the electric tailgate in terms of working hours, ensuring that the power supply of the whole vehicle will not be affected, and at the same time meeting the needs of the product.

1101, Xinchun Building, Shangsha Community, Chang'an, Dongguan, Guangdong 076982198609

02

# CAR DOOR SOFT CLOSE

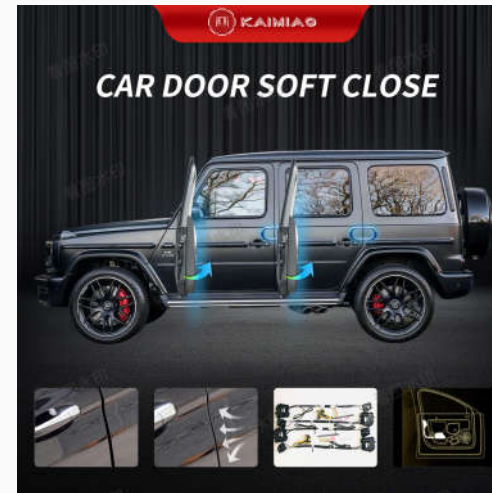
## CAR DOOR SOFT CLOSE

- ◆ The electric suction door is a safe and comfortable intelligent body control device in the car door lock system. When the door is not closed, the door touches the body, and the door will gently and automatically close. The door lock system automatically tightens the half-lock position to the full-lock position to complete the safe door closing action. The car owner only needs to gently close the car door elegantly, and then the car door can be easily closed, which is not only safe, but also has a very smart and comfortable experience.
- ◆ Electric suction door can solve the traditional car door using inertial gravity locking device. There is no need to use a lot of force to close the door to lock the door well, and reduce the impact force caused by the strong closing of the door. It is less likely to cause the door sealing parts to become loose and vulnerable than traditional door closing. It also solves the great noise generated by the traditional door closing mode, and the silent door closing makes the passengers more comfortable.



# ADVANTAGES

Feature	Description
Intelligent	Push the door to the half-locked state, and the system will automatically complete the remaining door closing actions.
Safety	The 6-9mm position automatically closes and locks. It will not be easily blocked during the closing process, and the door can be closed safely.
Comfortable	Gently close the car for increased comfort without any noise.
Elegant	Gently pull and close the door, making the closing action more elegant.
Noble	High-end configuration of luxury cars, get a distinguished car experience



# EXPERIENCE SCENE



Elderly/Child

Close the door gently, care for the elderly and children.



Pregnant Woman

Close the door softly to create a quiet atmosphere and not frighten the baby.



Mute

Sweet sleep, how can I bear to disturb.



Special Environment

Difficult to close in a narrow parking lot



Business Occasion

Close the door lightly for leaders, ladies and partners, showing elegance and dignity, and leaving a good impression.

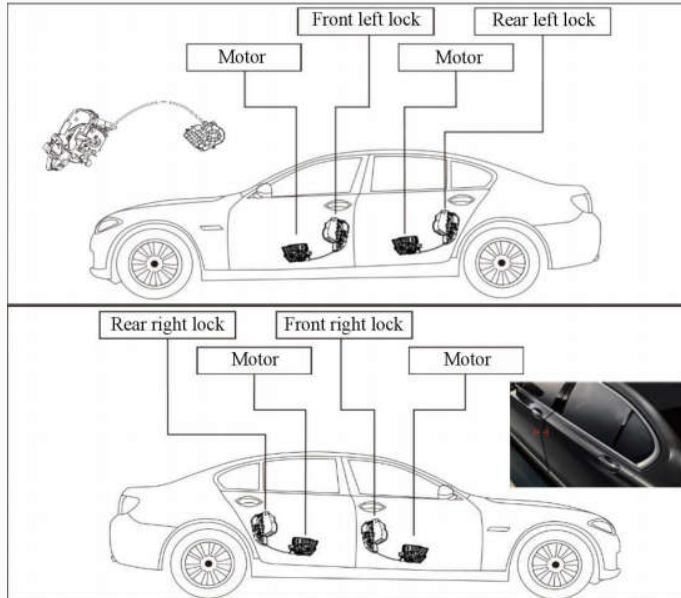


Car Lover

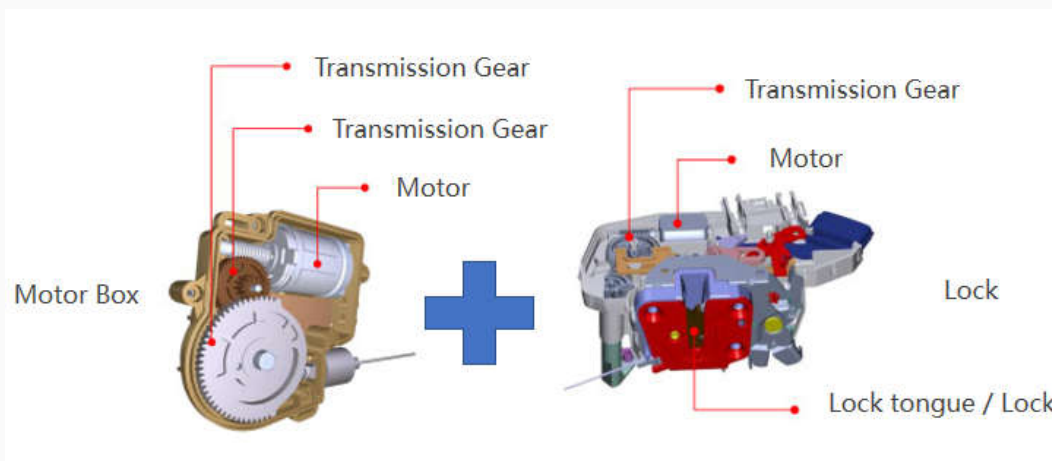
Gently close the door to extend the life of the car.



# PRODUCT INTRODUCTION



# PRODUCT INTRODUCTION



## Main Components of Accessories





## CORE COMPONENTS AND PARAMETERS



Component	Parameter	Component	Parameter
Motor	MABUCHI FK-280-5C	Working Voltage	DC 12V (9-16V)
Detection Sensor	HALL MT1101	Stand-By Current	≤3.0mA
Detection Switch	MARQUART/ALPS-SPVQ810801	Working Current	≤6.0A
MCU Main Chip	STC8A8K64S4A12	Stall Current	≤8.0A ( MAX )
Driver IC	DRV8701	Pull-in Noise	< 60dB ( A )
Transmission Gear	Power Metallurgy/Aviation Materials PM5.1	Suction Force	Half Lock 7-170N / Full Lock 150-250N
Latch/Lock	No.45 Steel Lagging	Temperature/Humidity Range	-40℃/2% - +85℃/90%RH
Load Strength	Portrait 11000N , Horizontal 9000N	Product Life	≥50000 times

Guangdong 076982198609



# ELECTRIC RUNNING BOARD

03

## INTRODUCTION

- ◆ The intelligent electric pedal is simple, safe and firm to install so that more car owners can trust it. Combined with the ground clearance and door space, a stepped foot pedal structure is designed. The ground clearance between the pedals is between 130mm and 180mm, and the gap between the pedals and the body sill is between 50mm and 130mm, which is convenient for getting on and off the vehicle.
- ◆ For the matching of the body, the non-destructive installation method, the chassis height is not reduced, the passability is not affected, and the user experience details are modified, we have been working hard to improve. Dare to change and persevere, and impress users with sincerity. The super load-bearing and the body are closely matched to create a shocking appearance quality and perfect after-sales service, so that the owner can have a more perfect use experience every day.



## ELECTRIC RUNNING BOARD

### ➤ Working principle

When the door is opened, the electric foot pedal is automatically extended, and the foot pedal stops when it runs to the limit position;

The door is closed, the electric pedal is automatically retracted, and the pedal is retracted to the bottom of the vehicle.

### ➤ Design Concept

1. In order to facilitate users to get on and off, especially women and children;
2. After installing the electric foot pedal, the whole vehicle can be more beautiful and harmonious;
3. Compared with the fixed pedal, it will not reduce the passability of the car body.

### ➤ Applicable models

Commercial vehicles, off-road vehicles, SUVs, pickups and other models with higher chassis.

### ➤ Market position

In the electric pedal industry, it is in a leading position in technology and has a number of patents.



Auto Scaling

Automatic Induction

# ELECTRIC RUNNING BOARD - FUNCTIONAL CONFIGURATION

System	Function Description
Door Control System	The door is opened and the pedals are automatically extended.
	Doors close, pedals retract automatically.
Smart Key Control System	The remote control key unlocks, the pedal automatically extends.
	Remote control key off, pedals retract automatically.
Intelligent Safety Monitoring System	When it encounters an obstacle when unfolding, it will automatically retract and stop.
	When an obstacle is encountered during extending, the extend will stop automatically.



1101, Xinchun Building, Shangsha Community, Chang'an, Dongguan, Guangdong 076982196609

# INTRODUCTION OF CORE MAIN COMPONENTS



## 1 MOTOR

60NM torque motor, stable, precise, ultra quiet, fast response of experience, without fear of rain and snow, unimpeded.

## 4 ECU

Independent intelligent control system, non-destructive installation, does not affect the structure of the original car, HALL sensor, speed ECU, the reaction is flexible, so that the operation is more stable.



1101, Xinchun Building, Shangsha Community, Chang'an, Dongguan, Guangdong 076982196609



## 2 ALUMINUM BRACKET

High strength aluminum die-casting, load-bearing capacity, up to 300kg, solid solid and durable.

## 3 ABS WIRE

ABS wire harness is composed of copper core wire, external insulation, adhesive, terminal, wire and insulation material. Extremely high temperature resistance, oil resistance, corrosion resistance, antiaging.



# TEST EQUIPMENT



**1** The main components of the product have passed the extreme high and low temperature test of -40 to 100 degrees, without fear of the test of ice and fire!

**3** All aging tests are carried out before shipment.



1101, Xinchun Building, Shangsha Community, Chang'an, Dongguan, Guangdong 076982198609



**2** The main components of the product simulate the real vehicle environment and are tested by the vibration test bench.



# PRODUCT PICTURE



1101, Xinchun Building, Shangsha Community, Chang'an, Dongguan, Guangdong 076982198609



# 4 ADVANTAGES

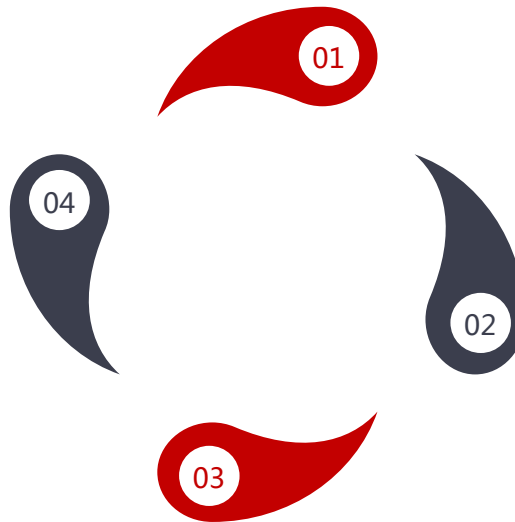


## 1 Seiko Material

## 4 Non-Destructive Installation

## 2 Perfect Fit

## 3 Strong Load Bearing



1101, Xinchun Building, Shangsha Community, Chang'an, Dongguan, Guangdong 076982198609

## SHOW DETAILS



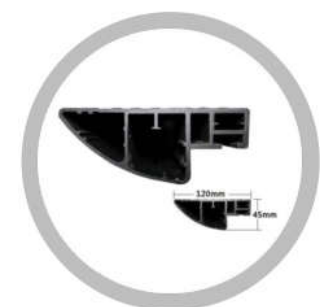
- **End Design**  
Beautiful arc design, so that the pedal is more attached to the body, the appearance of more beautiful.



- **Reinforcement screw**  
Alloy die casting reinforcement nut, reinforcement more secure, strong. Adopted advanced row 4 Neckar nut reinforcement design technology, effectively ensuring the pedal force uniform and strong Neckar screw fixation and make the pedal never loose.



- **Thickened End**  
The pedal end uses the high quality ABS engineering material, cold resistant, high temperature resistant, anti bump etc.. To avoid the body is not necessary to scratch, to effectively protect the safety, but also play a beautiful role.



- **Aviation Aluminum**  
Using high-quality thick antioxidant aviation aluminum, die-casting aluminum frame collocation, hale and hearty structure, high strength aerospace aluminum frame, unilateral bearing up to 300kg, there is no need to worry about the load problem.

1101, Xinchun Building, Shangsha Community, Chang'an, Dongguan, Guangdong 076982198609





04

# CAR JUMP STARTER

## INTRODUCTION

- Car jump start is a multi-functional portable power bank developed for car lovers and business people who drive. Its special function is to start the car when the car is out of power or unable to start the car for other reasons. At the same time, it supports charging of electronic digital products such as mobile phones, drones, cameras, and ipads. The USB output charging power is as high as 18W, which greatly shortens the charging time of electronic digital products. The product comes with emergency rescue functions such as safety hammer, compass, and lighting, and is a must-have product for outdoor travel. The product itself has seven protection functions such as anti-over-temperature, anti-overload, anti-overcurrent, anti-short circuit, anti-overrush, anti-reverse connection, anti-high voltage, anti-low voltage, which are safer and more reliable



## FEATURES

1. It can fire all cars with 12V battery output, but the applicable product range of cars with different displacements will be different. Able to provide field emergency rescue and other services;
2. Standard LED super bright white light, flashing warning light, and SOS signal light, a good helper for travel;
3. It also supports a variety of outputs, including 5V output (supporting various mobile phones and other mobile products), 12V output (supporting routers and other products), 19V output (supporting most notebook computer products), increasing the wide range of applications in life;
4. The car emergency starting power supply has built-in maintenance-free lead-acid battery, and also has high-performance polymer lithium-ion battery, with a wide range of choices;



## 9 PROTECTIONS

### Short Circuit Protection



### Voltage Regulation Protection



### Temperature Protection



### Anti-Reverse Protection



### Constant Current Protection



### Magnetic Field Protection



### Overcharge Protection



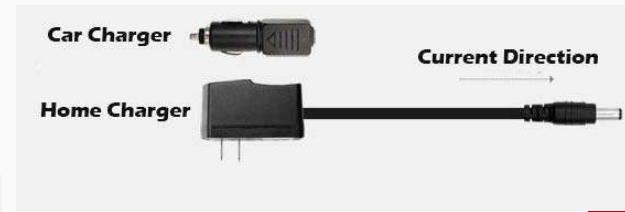
### Over Discharge Protection



### Lithium Polymer Battery



## STRUCTURE DISPLAY



1101, Xinchun Building, Shangsha Community, Chang'an, Dongguan, Guangdong 076982198609

## PRODUCT DETAILS

Model	A15
Features	Display / Wireless Charge / Quick Charge
Cell Type	High rate polymer ion battery
Capacity	18000MAH
Charging Input	TYPE-C5V2A/9V2A
USB Output	5A/2A 9V/2A
Suitable for Car Type	12V Battery / 7.0L Gasoline / 4.0L Diesel
Starting Current	500A
Peak Current	1000A / 2000A
LED Lighting	Flashlight
Package Size	25*13.2*9.5cm
Fully Charged Time	4-5 hours
Shell Material	PC
Shell Flame Retardant Grade	VO

◆ Rated capacity  
air transport  
requirement

◆ Low temperature  
resistance: -

◆ High temperature  
resistance: -

1101, Xinchun Building, Shangsha Community, Chang'an, Dongguan, Guangdong 076982198609

# ACCESSORIES MAP



Carrying Bag  
(Optional)



A19



Smart  
battery clip



Car charger



Certificate



4 in 1 Data Cable



Home Charger



Laptop charging  
adapter (optional)



Manual

1101, Xinchun Building, Shangsha Community, Chang'an, Dongguan,  
Guangdong 076982198609

# CAR JUMP STARTER CAN HELP YOU SOLVE YOUR TROUBLES



## COMMON REASONS FOR FAILURE TO START

## TRADITIONAL SOLUTION

(Encountered the above problems, what should we do)

<p>After going out for a while, I came back and found that the car battery was low and the car could not start</p> <p><b>The car has been idle for too long</b></p>	<p>After parking, forget to turn off the equipment in the car, the battery is aging, and the storage power is low. Turning on the air conditioner in summer consumes too much power and the power cannot be started</p> <p><b>Forgetting to turn off electrical</b></p>	<p>The cold weather causes the car battery voltage to be insufficient, making it difficult to start the car.</p> <p><b>Can't start in cold weather</b></p>	<p>The car battery hits the water, and the power is empty. Or other emergencies cause it to fail to start</p> <p><b>Break down suddenly</b></p>
---	---	--	---

**Pushing the car does great damage**

After going out for a while, I came back and found that the car battery was low and the car could not start

**Difficult to find other vehicles in the suburbs**

In the suburbs, especially late at night, it is difficult to find passing vehicles for help.

**Call a tow truck, Expensive**

Labor costs are expensive.

9. 电池使用用完毕，请充电。

1101, Xinchun Building, Shangsha Community, Chang'an, Dongguan,  
Guangdong 076982198609



# CAR JUMP STRATERS – SOLVE TROUBLES



## 1 Connect Emergency Power

Insert the DO plug into the DO terminal of the emergency power supply

04

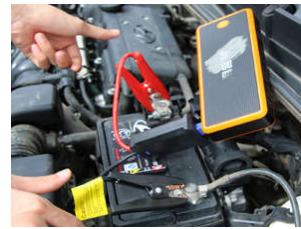
## 4 Remove The Battery Clip

After starting the car, please remove the battery clip within 30s.



## 4 STEPS

01



## 2 Connect The Battery

- Connect the red clip to the positive pole of the car power supply.
- Connect the black clip to the negative pole of the car power supply.

02

## 3 Start The Car

Get in the car and start the car.

03



# OUTDOOR ENERGY STORAGE POWER

05

# OUTDOOR ENERGY STORAGE POWER



# OUTDOOR ENERGY STORAGE POWER



➤ The outdoor power supply is equivalent to a small portable charging station, not only equipped with multiple USB ports. It can not only meet the charging of digital products, but also have AC 220V AC output, which can supply power for laptops, drones, photography lights and other equipment. Our outdoor energy storage power supply is also equipped with a car charger interface. After the self-driving tour reaches the destination, it can continue to supply power to the on-board equipment. As a professional energy storage device, the outdoor power supply is stable and safe in voltage. It is suitable for scenarios with high power consumption, such as self-driving travel, camping, outdoor small music parties, and household emergency power consumption.



1101, Xinchun Building, Shangsha Community, Chang'an, Dongguan, Guangdong 076982198609

# INTRODUCTION



160W / 220V

204WH

## Lightweight Portable Outdoor Power Supply

Support AC/DC/USB/TYPE-C four outputs

● Compatible with a variety of power devices

● Sine wave output

● Automotive grade lithium iron phosphate batteries

● Type-C two-way fast charging



  
204WH Large Capacity

  
220V AC Output

  
160W High Power

  
Sine Wave Output

  
Type-C Bidirectional 80W

  
Emergency Lighting

  
Digital Fast Charging

  
Multi-Port Output

1101, Xinchun Building, Shangsha Community, Chang'an, Dongguan, Guangdong 076982198609

# PRODUCT PARAMETER



产品参数

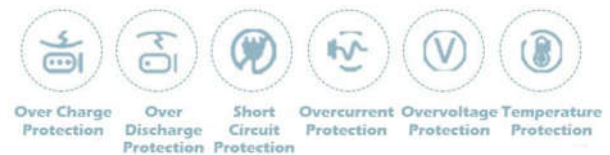
<b>AC Output</b>	<b>220V 50Hz</b>	<b>Battery Type</b>	<b>LiFePO4 battery</b>
<b>DC Output</b>	12V / 10A	<b>DC Input</b>	15V 2A
<b>Type-C1 Output</b>	PD5V 3A / 9V 3A / 12V 2.5A / 15V 2A / 20V 1.5A (PD30W)		
<b>Type-C2 Output</b>	PD5V 3A / 9V 3A / 12V 3A / 15V 3A / 20V 3A (PD60W)		
<b>USB1 Output</b>	5V 3A / 9V 2A / 12V 1.5A	<b>Power Display</b>	LCD
<b>USB2 Output</b>	5V 3A / 9V 2A / 12V 1.5A	<b>LED Lighting</b>	3W
<b>Cell Capacity</b>	24000mAh 88.8Wh	<b>Output Waveform</b>	Pure sine wave
<b>Charging Method</b>	AC / Car charger	<b>Product Weight</b>	≈2.4kg
<b>Product Size</b>	28.4*25*14cm		

1101, Xinchun Building, Shangsha Community, Chang'an, Dongguan, Guangdong 076982198609

# PRODUCT DETAILS



## PROTECTIVE CIRCUIT INSIDE



1101, Xinchun Building, Shangsha Community, Chang'an, Dongguan, Guangdong 076982198609

# FEATURES



## 1 LED Digital Display

Clear and distinct



## 2 LED Lighting

Hassle-free lighting



## 6 ABS Flame Retardant Shell

Strong impact resistance, insulation and anti-leakage



## 3 Intelligent Cooling

Heat dissipation with temperature changes



## 5 Portable Handle

Ergonomically designed, software is comfortable and non-slip



# FEATURES

## 4 Multi-function Interface

Comes with multi-function interface, easy to use



1101, Xinchun Building, Shangsha Community, Chang'an, Dongguan, Guangdong 076982198609

# APPLICABLE SCENE



- ◆ When shooting outdoors, the high-power fill light cannot be connected to the power supply. To keep your camera, monitor, and microphone from running out of power, you need to carry a lot of spare batteries of different types with you.
- ◆ When traveling by car, camping, and camping in the wild, when cooking and eating with the ingredients you bring, you can supply power to the kitchen appliances.
- ◆ In the event of a sudden power failure at home, it acts as an emergency power supply to ensure temporary power consumption.
- ◆ At a critical moment, as an emergency power supply for the car, supply power to the car



1101, Xinchun Building, Shangsha Community, Chang'an, Dongguan, Guangdong 076982198609

## VARIOUS POWER SOCKETS CAN BE CUSTOMIZED



**TYPE-C Port**  
PD60W/18W fast charging  
smartphone, etc.



**QC3.0 Port**  
Mobile phones, tablets,  
lights, SLR cameras, etc.

**DC12/10A Port**  
Car refrigerator, navigator,  
car adapter, etc.

**AC500W Port**  
Laptops, TVs and other  
500W electrical appliances



<b>DC Voltage</b>	<b>24V MAX</b>	<b>Load Current (Range)</b>	<b>2A max</b>		
<b>Peak Power</b>	<b>48W max</b>	<b>Linear Adjustment Rate</b>	<b>±1%</b>	<b>Voltage Range</b>	<b>±5%</b>
<b>Voltage Accuracy</b>	<b>90%</b>	<b>Work Efficiency</b>	<b>90%</b>	<b>Operating Temperature</b>	<b>-10°C~50°C</b>

1101, Xinchun Building, Shangsha Community, Chang'an, Dongguan,  
Guangdong 076982198609

05

# CAR AIR PUMP



## INTRODUCTION

- Directly connected to the portable reciprocating piston air compressor, the high-quality model structure of similar products at home and abroad is used for reference, and the computer three-dimensional modeling is used to optimize the design, and the structure is more reasonable. Better performance.
- The motor is equipped with a thermal protector to ensure that the air compressor motor will not burn out due to overload. The main parts are processed in strict accordance with national standards by CNC machine tools.
- The product has stable mechanical properties, reliable internal quality, beautiful appearance and small size. , light weight, simple operation, easy to carry.



## WORKING PRINCIPLE

- The working principle of the reciprocating piston compressor is to use the drive to drive the crankshaft to rotate, and the crankshaft drives the piston to reciprocate through the connecting rod.
- The reciprocating motion of the piston makes the volume of the cylinder change periodically: the air sucked in by the suction valve is compressed by the piston, and when it reaches the exhaust pressure, it enters the air storage tank through the exhaust valve, exhaust pipe for the user to use.



# ADVANTAGES



Stop when full



Permanent magnet motor  
15000+, strong air supply  
for double cylinders



Built-in intelligent noise  
reduction shock absorber,  
noise reduction and shock  
resistance



30 cylinder  
permanent  
magnet motor



20 Seconds Quick  
Replenishment



Tire pressure  
monitoring



Shock-absorbing  
mute

1101, Xinchun Building, Shangsha Community, Chang'an, Dongguan,  
Guangdong 076982198609

# FEATURES



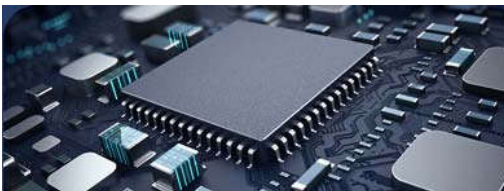
**Inflatable Laboratory**  
(Research on Inflation Effect  
of Real Tire Environment)



Inflation Speed  
Increase **99%**

Safety  
Certificate **ROHS**

Use Time  
**20**  
**YEAR**



Precision chip, accurate pressure  
measurement



Acoustic noise reduction, soft  
sound inflatable

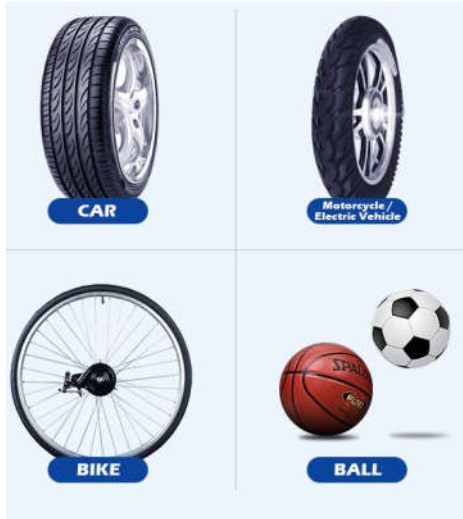


Turbo doubled, fast  
inflation

1101, Xinchun Building, Shangsha Community, Chang'an, Dongguan,  
Guangdong 076982198609



## APPLICABLE SCENE



## USING STEPS

01

Start the car



02

Connect to the power



03

Connect the inflation tube



04

Connect the trachea



05

Set tire pressure



06

One-click inflation



## SCOPE OF APPLICATION

**30 cylinder powerful power cha**  
**Express full of four wheels**



**SEDAN**  
2.3-2.25KGF/CM<sup>2</sup>



**SUV**  
2.5KGF/CM<sup>2</sup>



**MPV**  
2.3-2.25KGF/CM<sup>2</sup>



## FLEXIBLE STORAGE



- ◆ Small volume
- ◆ Small and portable
- ◆ Flexible storage
- ◆ Does not take up space



# PRECAUTIONS



- It is not allowed to use in the case of exceeding the rated working pressure of the air compressor
- When there is air pressure in the air tank, do not loosen any connecting parts
- Do not disassemble any electrical parts without pulling out the power plug
- After shutdown, the power must be turned off and unplugged
- Do not use it when the rated voltage is over +5%, -10%
- The working pressure of the safety valve has been adjusted before leaving the factory. Users should not adjust the safety valve at will to avoid danger.
- The user should pull the safety valve snap ring once a month to avoid clogging or jamming
- Do not use the method of pulling the plug to replace the air pressure switch
- If abnormal sound is found during the operation of the air compressor, it should be stopped immediately for inspection and troubleshooting
- It is strictly forbidden to weld any accessories on the gas tank
- In order to prevent the motor from burning, the motor is equipped with a thermal protector. Thermal protectors are divided into two types: built-in and external. The built-in thermal protector can be reset automatically, while the external thermal protector needs to be manually pushed in the red contact of the protector to reset



1101, Xinchun Building, Shangsha Community, Chang'an, Dongguan, Guangdong 076982198609

# SHOW DETAILS



01

Wear-resistant nylon braided inflatable tube, Anti-freeze without breaking, Explosion-proof and high temperature resistance



02

TYPE-C fast charging universal interface  
Recharge in time



05

Can be used as a power bank  
6000mAh large capacity  
Power bank USB interface



03

Independent valve  
Bicycle brass ball needle (optional)  
More convenient to inflate



04

Flannel packaging



1101, Xinchun Building, Shangsha Community, Chang'an, Dongguan, Guangdong 076982198609

# BASIC PARAMETERS



Product Name	Car Air Pump
Rated Voltage	12V
Rated Power	60W
Battery Capacity	6000mAh
Charging Method	TYPE-C
Features	Inflatable, flashlight, power bank
Maximum Pressure	150PSI

1101, Xinchun Building, Shangsha Community, Chang'an, Dongguan, Guangdong 076982198609



07

“4 IN 1”

— INTERGRATED WITH CAR JUMP STARTS, CAR AIR PUMP, LED LIGHT, EMERGENCY POWER

1101, Xinchun Building, Shangsha Community, Chang'an, Dongguan, Guangdong 076982198609

# 4 IN 1

## PORTABLE JUMP STARTER, POWER BANK, AIR PUMP

4 IN 1 is a car convenience product that integrates car emergency starting power supply, outdoor energy storage power supply, on-board portable air pump, and lighting. It can be charged and inflated.

It is suitable for self-driving travel and field camping. to avoid the troubles that you may have when traveling. More than you think, comprehensive protection for emergency travel, covering all needs, it is an indispensable home product for travel.



# 4 IN 1

## PORTABLE JUMP STARTER, POWER BANK, AIR PUMP

### Product Display



# PRODUCT PARAMETERS



<b>Model:</b>	<b>BM600</b>
<b>Battery Capacity:</b>	24000mAh, 88.8Wh
<b>Jump Start Output:</b>	12V
<b>Peak Current:</b>	3000A
<b>DC Output:</b>	12V-16V/10A
<b>Type-C Input:</b>	5V/3A, 9V/2A, 12V/1.5A
<b>USB1 Output:</b>	5V/3A, 9V/2A, 12V/1.5A
<b>USB2 Output:</b>	5V/3A, 9V/2A, 12V/1.5A
<b>Air Compressor:</b>	150 PSI
<b>Certification:</b>	CE, ROHS, FC



1101, Xinchun Building, Shangsha Community, Chang'an, Dongguan,  
Guangdong 076982198609

# PRODUCT STRUCTURE



1101, Xinchun Building, Shangsha Community, Chang'an, Dongguan,  
Guangdong 076982198609



# ADVANTAGES



 <b>Car Start</b> Turn off the car, start instantly	 <b>DO Anti-reverse Socket</b> Avoid back-insertion designs	 <b>Mobile Phone Digital Charging</b> Iphone, Ipad, Camera	 <b>Emergency Lighting</b> LED / SOS Lighting
 <b>CNC Inflatable</b> Tire inflation, Tire pressure monitoring	 <b>Low Temperature Start</b> -20 degrees	 <b>Smart Protection</b> Safer to use	 <b>Diesel/Gasoline Compatible</b> ≤5.0 gasoline car/3.0 diesel car

1101, Xinchun Building, Shangsha Community, Chang'an, Dongguan, Guangdong 076982198609

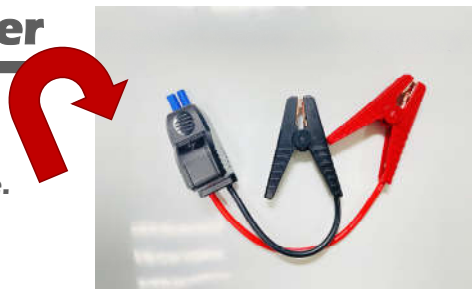
# FEATURES



## Jump Starter

After the connection is correct, start the engine of the vehicle.

Output: 12V  
Peak current: 3000A



## Air Pump

150 PSI fast inflation

There are three inflatable nozzles.



## Led Lighting

It is very convenient for you to use at night. Scientific and Humanized Design



## Power Bank

Battery Capacity: 24000mAh 88.8Wh  
DC Output: 12-16V / 10A  
Type-C Input: 5V/3A, 9A/2A, /12V/1.5A  
USB1 Output: 5V/3A, 9A/2A, /12V/1.5A  
USB2 Output: 5V/3A, 9A/2A, /12V/1.5A

1101, Xinchun Building, Shangsha Community, Chang'an, Dongguan, Guangdong 076982198609

# APPLICABLE SCENE



**Multifunctional power supply,  
beyond your imagination**



1101, Xinchun Building, Shangsha Community, Chang'an, Dongguan,  
Guangdong 076982198609



# SCOPE OF APPLICATION



**It is generally applicable to vehicles with an inflation  
range within 3.0BAR**

				
<b>Car</b>	<b>Motorcycle</b>	<b>Bicycle</b>	<b>Rubber Boat</b>	<b>Car Air Bed</b>
				
<b>Inflatable Castle</b>	<b>Inflatable Toys</b>	<b>Inflatable Pool</b>	<b>Lifebuoy</b>	<b>Inflatable Balls</b>

1101, Xinchun Building, Shangsha Community, Chang'an, Dongguan,  
Guangdong 076982198609

08

# CAR FRAGRANCE PURIFICATION SYSTEM

## CAR FRAGRANCE PURIFICATION SYSTEM

The car intelligent fragrance system adopts the two-fluid atomization technology. The ultra-quiet air pump compresses the air to completely separate the molecules of the high-purity essential oil into particles, so as to maintain the lasting stability of the original composition and fragrance of the essential oil, and then use the positive and negative ion generator to generate The positive and negative ions neutralize the positive and negative charges in the air and release huge energy instantly, leading to the death of bacteria and achieving the effect of rapid sterilization and purification.

At the same time, it can effectively improve the odor in the car and enhance the comfort and luxury of the whole vehicle. The fragrance brought by pure plant essential oils gives people comfort, tranquility, anxiety relief, comfort and pleasure





## WORKING PRINCIPLE

### ➤ Fragrance device

Using two-fluid technology and the principle of compressing air with an ultra-quiet air pump, the molecules of essential oils are sprayed out through the fragrance delivery tube to achieve the effect of emitting fragrance and cleaning the air.



### ➤ Way of delivering aroma

The aroma gas enters the air transmission pipe of the automobile air conditioner through the aroma pipe, and the aroma is then discharged from the automobile air conditioning system, thereby driving the aroma



### ➤ Positive and negative ion purification module

Using the generated positive and negative ions to neutralize the positive and negative charges in the air instantly releases huge energy, resulting in the change of the surrounding bacterial structure and the transfer of energy, resulting in the death of the bacteria and the realization of sterilization.

1101, Xinchun Building, Shangsha Community, Chang'an, Dongguan,  
Guangdong 076982198609

## FEATURES

- **Air Purification:** Using two-fluid atomization technology, the ultra-quiet air pump compresses and accelerates the air, and completely separates the molecules of high-purity essential oils into particles, and then uses the positive and negative ions generated by the positive and negative ion generator to neutralize the positive and negative electric nuclei in the air. Instant release of huge power, leading to bacterial death, to achieve rapid sterilization and purification
- **Aromatherapy Function:** Ultrasonic atomization technology can make essential oils more evenly distributed, bring out the natural fragrance of essential oils, and make the skin more comfortable.
- **Auto Power Off Function:** Protected by the Auto Power Off function. Automatic power off after 2 hours of continuous work. Eliminate the potential hazards of waterless operation.
- **Simple Installation:** this one only needs to connect the positive and negative poles and the air conditioning system





# OPERATION INSTRUCTIONS

- 1** Short press the button to adjust 1-3 gears. When adjusting the gear, the buzzer will beep once every time the button is pressed.

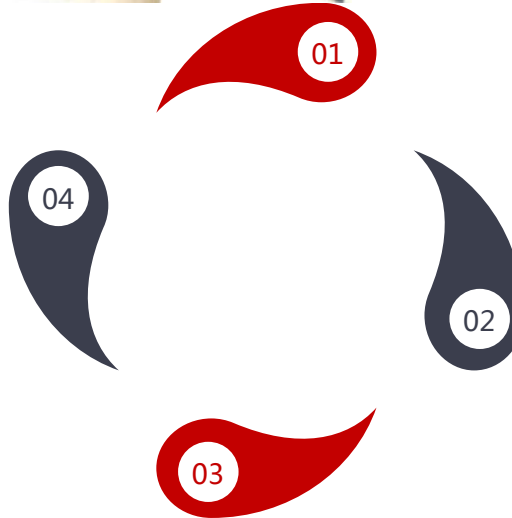
**1st Gear:** work for 20 seconds, pause for 30 seconds;

**2nd Gear:** work for 10 seconds, pause for 120 seconds;

**3rd Gear:** work for 10 seconds, pause for 600 seconds.

- 4** Time-out automatic shutdown function:

You can set the machine to stop working automatically after a period of time through the APP.



- 2** Gear position indicator description:

When the 1st gear is working, 1 green light is on;

When the 2nd gear is working, 2 green lights are on;

When the 3rd gear is working, 3 green lights are on

- 3** Tilt alarm indication:

When the fuselage is tilted more than 45 degrees, the red and green lights of the alarm indicator flash alternately, and the buzzer will have an alarm sound. When the fuselage returns to normal, the machine automatically cancels the alarm.

# ADVANTAGES



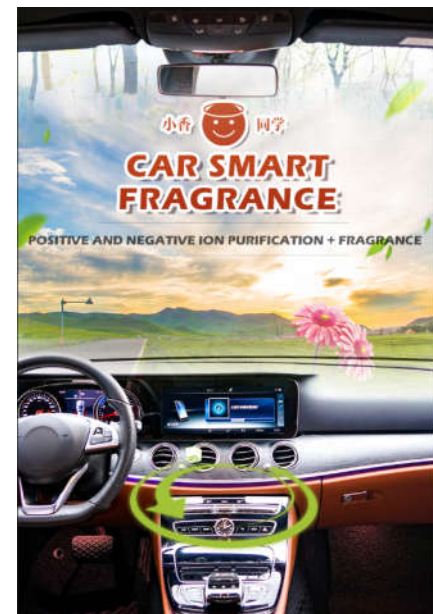
## WE NEED TO PAY ATTENTION TO AIR POLLUTION IN CARS

AN INVISIBLE THREAT DOESN'T MEAN IT DOESN'T EXIST



## THE IMPORTANCE OF CAR AIR MANAGEMENT

Reports issued by various environmental monitoring agencies show that the current situation of pollution in automobiles in my country is very serious. The China Indoor Environmental Monitoring Center surveyed 100 cars and found that 90% of them had air pollution in the cars. Among them, more than 80% of car owners have no clear concept of odor control, while 65% of car owners have symptoms such as dizziness, drowsiness, depression and irritability, and inability to concentrate.



# ACCESSORIES DISPLAY



1101, Xinchun Building, Shangsha Community, Chang'an, Dongguan,  
Guangdong 076982198609



# CHOOSE FROM DIFFERENT SCENTS



01

## WHITE TEA

**Top Notes:** Bergamot, Narcissus, Ylang Ylang

**Middle Notes:** Rose, Jasmine

**Base Notes:** Amber, Cypress

The smell of white tea is a light fragrance, if there is no fragrance and elegance, the floral fragrance is pure and pleasant. Its scent soothes indigestion, relieves anxiety and elevates mood

02

## PARADISE COVE

**Top Notes:** Lychee, Peach, Pineapple

**Middle Notes:** Magnolia, Rose, Jasmine

**Base Notes:** Vanilla, Sandalwood, Amber

Refreshing lychees and sweet and tart peach kick off the journey with a tropical fruity aroma. Then, the rich jasmine and roses bring out the mysterious and feminine characteristics of low-key and unobtrusive women. Finally, the mysterious veil is outlined with vanilla, sandalwood and amber, exuding a calm and intellectual masculinity.

1101, Xinchun Building, Shangsha Community, Chang'an, Dongguan,  
Guangdong 076982198609





# INSTALLATION STEPS



1. Remove the storage compartment. Be careful to remove the screws and concealed buckles first.

1101, Xinchun Building, Shangsha Community, Chang'an, Dongguan, Guangdong 076982198609



2. Remove the passenger compartment storage box.



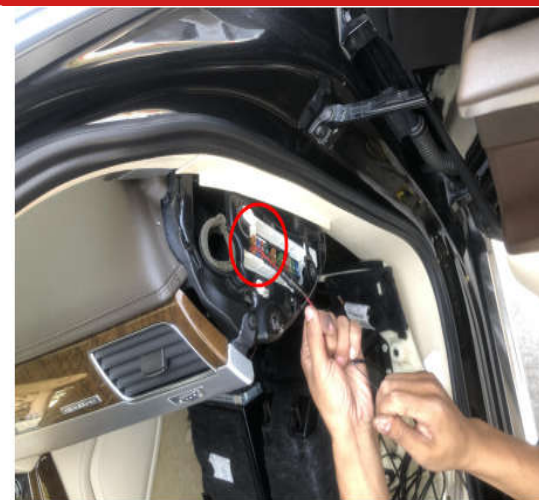
3. Connect the ion generator plug. Fix the plug to the position shown in the picture of the air compressor inside the storage box.

# INSTALLATION STEPS



4. Use an 8mm drill to drill a hole on the inside of the air outlet of the air conditioner as shown in the figure. Install our special plug and then insert the fragrance output pipe of the product into the inside of the air conditioner outlet.

1101, Xinchun Building, Shangsha Community, Chang'an, Dongguan, Guangdong 076982198609



5. Positive is connected to ACC, negative is connected to ground wire.



## INSTALLATION STEPS



6. Connect to the ground wire.



8. Connect the pipe and power cord.

1101, Xinchun Building, Shangsha Community, Chang'an, Dongguan,  
Guangdong 076982198609

 KAIMIAO



7. Pass the wire through storage.

## INSTALLATION STEPS



9. Insert the perfume bottle.



10. Place the fragrance unit inside the storage compartment.  
The placement location depends on the car

1101, Xinchun Building, Shangsha Community, Chang'an, Dongguan,  
Guangdong 076982198609

 KAIMIAO



# INSTALLATION STEPS



AIR CONDITIONER  
OUTLET



ACC, GROUND WIRE



POSITIVE AND NEGATIVE  
ION GENERATOR



11. The black button shown in the figure is the 3-speed adjustable button

Installation location depends on the car. This car is Audi A8

# APP CONTROL METHOD DESCRIPTION



In order to make the setting easier, this product supports Bluetooth communication, and the APP can be used on the mobile phone to set the operating parameters of the device.

01

First open the Bluetooth of the mobile phone, run the APP, select "Bluetooth" on the first interface, it will automatically search for the device and display it in the list.

02

Click the device name to jump to the setting interface (as shown in the figure, we will have an English version of the APP).





09

# COMPANY OVERVIEW



## COMPANY PROFILE

- Dongguan Kaimiao Electronic Co., Ltd. are specialized in auto parts business for years, which is a high-tech company integrating R&D, production, sales and service. Mainly exporting automotive intelligent electronic products.
- Our company's electric tailgates (power liftgate), car door soft close (electric suction doors), electric running board, car jump starter, car air pump, "4 in 1" power bank and Car Aromatherapy Purification System are among the leading in the country. There are more than 500 models for your choice. All products are in line with industry quality standards and are well-known in many markets at domestic and abroad.
- Our factories are located in Dongguan and Shenzhen, Guangdong Province, with more than 80 employees. In order to ensure customer satisfaction, we use advanced equipment and facilities, and implement quality inspection measures in all aspects of production. At the same time, we have passed **ISO9001, TS16949, ROHS, CE, 3C** and other certificates.



R&D and design of electric tailgate and electric suction door



2017

R&D and design of electric running board

2018

Business expansion to Europe

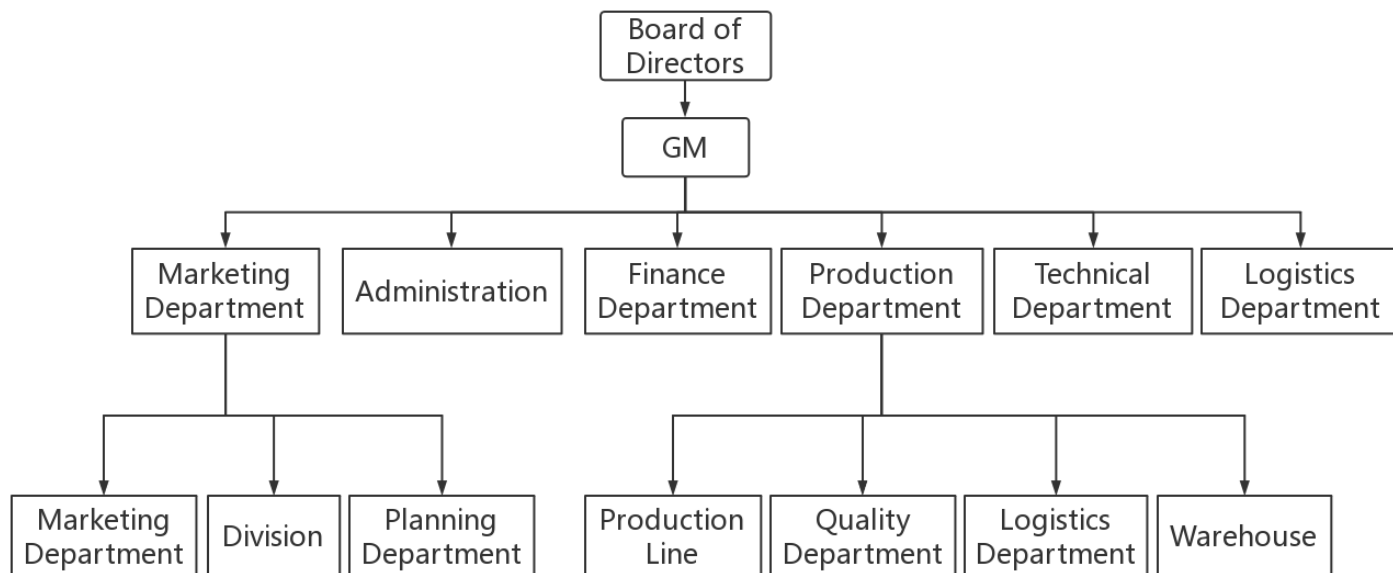
2019

R&D and design of Car Aromatherapy Purification System

2020



# ORGANIZATION CHART



# BUSINESS SCOPE



It is sold well in more than 30 cities including Taiwan, Shanghai, Shenzhen, as well as in New Zealand, Turkey, Iran, Dubai, Australia, Singapore, Vietnam, Myanmar, Laos, South Korea, Japan, Thailand, Malaysia and other countries.

1101, Xinchun Building, Zhensha Kaimiao Community,  
Chang 'an, Dongguan, Guangdong 076982198609

# PRODUCT TEST



1101, Xinchun Building, Shangsha Community, Chang 'an, Dongguan,  
Guangdong 076982198609



# PRODUCT TEST



1101, Xinchun Building, Shangsha Community, Chang'an, Dongguan,  
Guangdong 076982198609

# PRODUCT LINE



1101, Xinchun Building, Shangsha Community, Chang'an, Dongguan,  
Guangdong 076982198609

# TESTING EQUIPMENT DISPLAY



Electronic Universal Testing Machine



Vibration Test Bench



Door Lock Function Test Bench



Salt Spray test chamber



Automatic image measuring instrument



Vehicle Aging Test Bench



High/Low temperature Humidity test



Stroke/Length Measurement

1101, Xinchun Building, Shangsha Community, Chang'an, Dongguan, Guangdong 076982198609

# CERTIFICATION



CCC Certificate



IATF16949 Certificate



Utility Model Patent Certificate



Depot Excellent Supplier Award



Software Work Patent Certificate



Product Tripartite Inspection Report



Product Insurance



Industry Inn

1101, Xinchun Building, Shangsha Community, Chang'an, Dongguan, Guangdong 076982198609

# BUSINESS PHILOSOPHY



01

## CUSTOMER SATISFACTION

Customers are the lifeblood of an enterprise, and an enterprise exists because of the trust and needs of customers. We should win customers, accumulate customers, and make every grateful customer 100% satisfied with us with excellent quality and perfect service.

*CORPORATE VISION – to  
create a smart and  
comfortable car  
experience for global  
car owners*

02

## SOCIAL SATISFACTION

Legally operate, create employment opportunities, establish a good reputation, create a good business style, establish a stable market position and excellent business performance, attach importance to long-term development and social contribution, participate in social welfare undertakings with appropriate profits, and jointly create a sustainable enterprise operate. Only the healthy development of the enterprise and the continuous value creation can satisfy the society

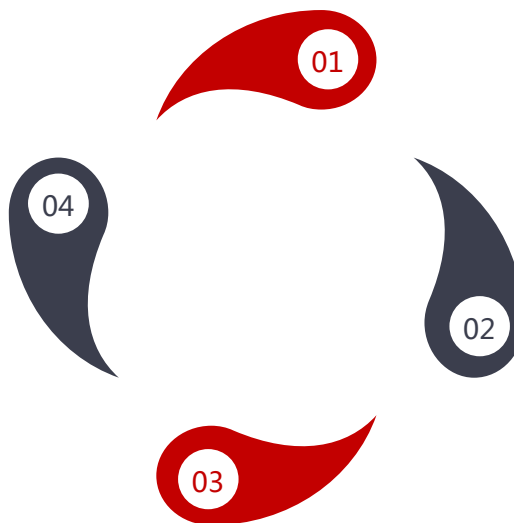
1101, Xinchun Building, Shangsha Community, Chang'an, Dongguan,  
Guangdong 076982198609

# QUALITY MANAGEMENT ASSURANCE



**1 Planning  
Management**

**4 Production  
Quality**



**2 Parts Quality  
Control**

**3 After-sales  
continuous  
improvement**

1101, Xinchun Building, Shangsha Community, Chang'an, Dongguan,  
Guangdong 076982198609



# SERVICE PLATFORM



## 1 Youtube

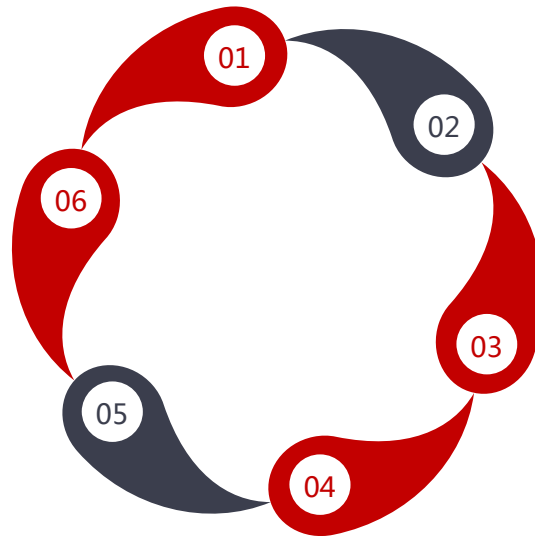
<https://www.youtube.com/channel/UCLVyZV4gPAoctEew6mDwCGA>

## 6 Official Website

[www.kmautospace.com](http://www.kmautospace.com)

## 5 Alibaba

[kaimiao.en.alibaba.com](http://kaimiao.en.alibaba.com)



## 2 FaceBook

<https://www.facebook.com/martelectrictailgate/>

## 3 LinkedIn

<https://www.linkedin.com/company/14652882/>

## 4 Pinterest

<https://www.pinterest.com/sales040045/>

1101, Xinchun Building, Shangsha Community, Chang'an, Dongguan, Guangdong 076982198609

# AVAILABLE FOR CAR BRANDS



1101, Xinchun Building, Shangsha Community, Chang'an, Dongguan, Guangdong 076982198609





# THANKS

[www.kmautospace.com](http://www.kmautospace.com)

1101, Xinchun Building, Shangsha Community, Chang'an, Dongguan,  
Guangdong 076982196609